







CZ637

Network Explosion Proof PTZ

Dome Camera

Certificate

Certificate Mark	  II 2G Ex db IIC T6 Gb or Ex db IIC T6 Gb   II 2D Ex tb IIIC T80 °C Db or Ex tb op pr IIIC T80 °C Db
Standards	EN60079-0:2012+A11:2013, EN60079-1:2014, EN60079-31:2014, IEC60079-0:2017, IEC60079-1:2014, IEC60079-31:2013

Mechanical

Housing	Stainless steel 304 or 316L
IP	IP68
Cable thread hole	1pcs M27×1.25 or M25×1.5
Wiper	No
sunshade	Support

Electrical

Voltage	AC24V ± 25% or POE(IEEE802.3at) or 100~240V AC
Power	Less than 75W

Ambient

Ambient temperature	-40°C~+60°C
Air pressure	80~110kPa
Relative Humidity	≦95% (no condensation) @25°C

Pan & Tilt

Pan	360° endless
Speed	Pan: 0.1° ~350° /s; Tilt: 0.1° ~250° /s
Vertical	-90 to +0°
Cruise Scan	Support

Keep watch	Support
Preset	300
Resume function	Support
Auto Cruise	Support
Auto Scan	Support

Camera

Image Sensor	1/1.8" CMOS
Effective Pixels	1920(H) x 1080(V), 2 Megapixels
Min. Illumination	Color: 0.001Lux@F1.5 B/W: 0.0001Lux@F1.5
Shutter Time	1/1s~1/30,000s
Iris	Auto/Manual F1.6 ~ F4.4
Day&Night	Auto ICR
Digital noise reduction	Ultra DNR (2D/3D)

Lens

Focal Length	5.8 mm–191.4 mm, 33X optical
Aperture Range	F1.5–F4.8
Angle of View	H: 60.1°–3.2°; V: 35.3°–1.8°; D: 67.9°–3.7°

Network

Network Interface	RJ-45 (10Base-T/100Base-TX)
Video Compression	H.265+/H.265/H.264+/H.264
Voice Intercom	Support
Stream	Support three streams
Internet Protocol	IPv4/IPv6, HTTP, HTTPS, SSL, TCP/IP, UDP, UPnP,
Time Display	Support
Compatible Integration	ONVIF Profile S&G, API
Security	Password protection, Multiple access control

Control

Camera address	on/off (0-254)
Focus Mode	Auto/Manual/One touch
Gain	off/ lower/ higher
Slow shutter	X256 MAX
White Balance	Auto white balance 1/auto white balance 2/Manual/auto
Private	Off/ Mode 1/ Mode 2
Video	3D DNR, mirror, brightness, Contrast, Sharpness adjustab

Digital zoom	X16
Zoom display	on/off
ZCF control mode	mode 1, mode 2

Artificial Intelligence

Video Metadata	Support human, motor vehicle and non-motor vehicle image capture.
SMD Plus	Support
Auto Tracking	Support
Face Detection	Support

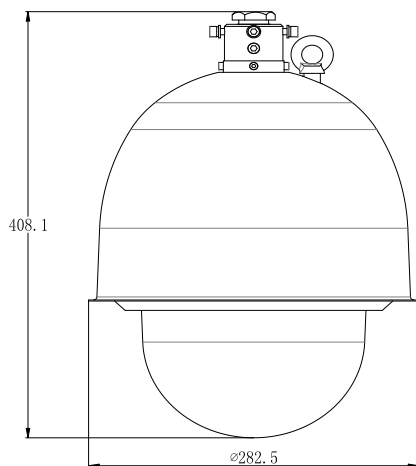
General Intelligence

Event Trigger	Motion detection, video tampering, scene changing, network disconnection, IP address conflict, illegal access, and storage anomaly.
General IVS	Object Abandoned/Missing

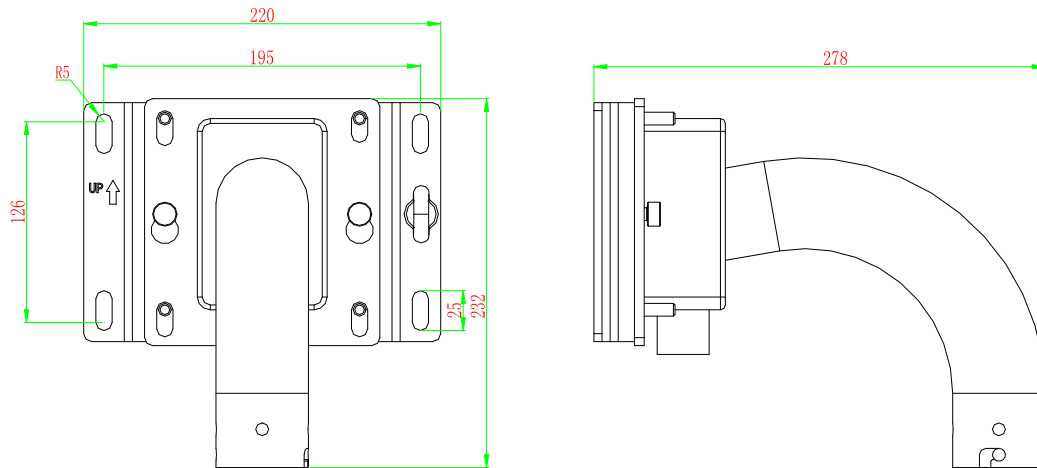
General

Cable	integrated cable
Size	282.5*282.5*408.1mm
Weight	18kg
Mounted	wall, pole
Wall bracket	ZAZ630B
Ceiling mounted bracket	ZAZ630BC
Sunshield	optional

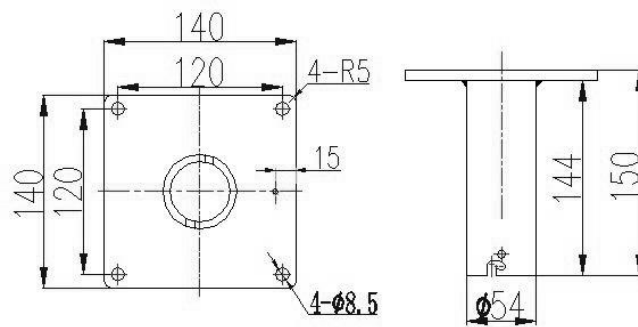
Dimension



Bracket for Wall or Ceiling



ZAZ630BW wall bracket



ZAZ630BC ceiling mounted bracket (optional)

The ZANXG Explosion Proof Cable tube



Connector Material	Carbon Steel or Stainless steel 304 or 316L
Connector size	G3/4
Certificate Mark	Ex e IIC Gb
IP	IP68
Ambient temperature	-25 to +60°C
Air pressure	80Kpa to 106Kpa
Relative Humidity	≅95% (no condensation)
Length	1m, 1.5m, 2m

