

## Features

- ATEX, IECEx Approved;
- Applicable for Gas Zone 1, Zone 2,  
(Class II A, IIB, IIC, T1-T6 group)  
Dust Zone 21, 22.
- Certified standards IEC/EN60079 (2014)
- Stainless steel 304 or 316L enclosure
- Surface optional electro-polished or painting
- Weather Proof IP68(1.2m/45min)
- Wide voltage input: AC100-240V or AC24V
- Strong tempered glass, fit for hydrofluoric acid area
- Intelligent window defroster design
- Auto temperature adjust kit for aggressive area
- High precision wiper , support user-defined
- Auto temperature adjust kit for aggressive area
- Symmetrical balancing design
- Intelligent long focal speed limit, fit for long distance monitoring



CZ610-B





## Application

CZ610-□ is a ZUOAN designed classic explosion-proof integrated camera, which is integrated by explosion proof camera(housing)、pan tilt、decoder and wiper, it makes install and debug on site convenient. .The explosion proof camera can apply for Zone 1 and Zone 2 hazardous areas that explosive mixture of group IIA, IIB, IIC, T1~T6 gases, vapors and air may exist, Zone 21 and Zone 22 hazardous areas that explosive dust may exist. It's applicable for refining and chemical industry, oil extraction, gas production, fireworks production, grain production and storage, petrol station and so on.

# CZ610-□ EXPLOSION PROOF INTEGRATED CAMERA

## EX-PROOF MARKING

Explosion proof marking:

CE<sup>2460</sup>  II 2G Ex db II C T6 Gb,  
 II 2D Ex tb IIIC T80 °C Db

Standards: IEC/EN60079

## ENVIRONMENT

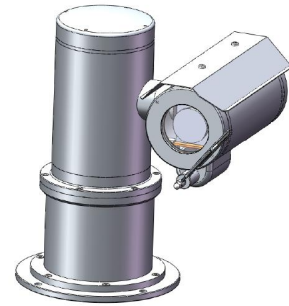
Ambient temperature: -40°C ~ +60°C  
Atmosphere pressure: 80kPa ~ 120kPa  
Relative humidity: ≤ 95%RH (+25°C)

## MECHANICAL

Material: Stainless steel 304/316L  
Ingress protection: IP68  
Cable glands: M25×1.5  
Cable entry: 1pcs  
Dimension: see fig  
Pan: continuously 360°  
Tilt: -90° ~ 90°  
Wiper: with step-by-step motor  
Rotation speed: 0.1 ~ 45°/s  
Net Weight: CZ610-B, 33kg  
Mount: wall, pole (or customer tailored)

## ACCESSORIES

Wall Bracket: CZ6XXB  
Ex Junction Box: ZA-JXD4  
Ex Control Box: CZ300  
Ex tube: ZANXG  
Ex Gland: ZAEX02





CZ610-B

## ELECTRICAL

Voltage: 100~240V AC or 24V AC  
Voltage: AC80~265V  
Current: ≤ 2500mA  
Power: 50W/70W  
Protocol: Pelco-D Pelco-P, per customer;  
Rate: 2400 ~ 19200bps  
Output: AV/RJ45  
Long focal limit speed: Yes  
Preset: 128/255  
Cable: Integrate cable  
surge protect: Optional  
Fiber: Optional  
Audio: Optional  
Alarm: Optional



<b>Certificate</b>	
ATEX Certificate Mark	CE <sup>2460</sup>  II 2G Ex db IIC T6 Gb,  II 2D Ex tb IIIC T80 °C Db
Certificate	Presafe 17 ATEX 11328X, IECEx PRE 18.0030X
Standards	IEC/EN60079
<b>Mechanical</b>	
Housing	Stainless steel 304 or 316L
Surface	Optional electro-polish or painting
Ingress protection	IP68 (1.2m/ 45min)
Cable thread hole	M25×1.5
<b>Electrical</b>	
Voltage	AC100V ~ AC240V or AC24V
Power	50W/70W (with thermostat)
Surge Protect	Optional, TVS6000V surge protect
Optical Fiber output	Optional, multimode or single mode
Optical Video signal	1-way video output
Optional network signal	RJ45
Optical Audio	1-way input, 1-way output
Optical Alarm	2-way alarm input, 1-way alarm output
Address code:	0/1
Trail cable	2m integrated cable
<b>Ambient</b>	
Ambient temperature	-25° ~ +60°/-40° ~ +60°
Air pressure	80Kpa to 110Kpa
Relative Humidity	≦95% (no condensation)
<b>Communication</b>	
Communication type	RS485
Protocol	Pelco-D, Pelco-P
Communicate Rate	2400~19200bps adjustable
485 Communication	Support

**Pan & Tilt**

Horizontal	360°
Horizontal speed	0.1-45°/s
Vertical	-90 to +90°
Cruise Scan	Support
Keep watch	Support
Preset	64/128/255/300
Resume function	Support
Auto Cruise	Support
Auto Scan	Support

**Alarm**

Alarm Input	2-channel/ 7-channel
Alarm Output	1-channel, action with alarm
Intelligent Alarm	Audio detective, move detective, video shield, network inte

**Audio**

Audio Input	Audio input (LINE input, MIC input), audio peak:2-2.4Vp-p,
Audio Output	Line-level impedance 600Ω

**Network**

Network Interface	1pcs of RJ45, support 10M/100M/1000M
Video Compression	H.264 main profile / MJPEG
Audio Compression	G.722.1/ G.711-a law/ G7.11-u law/MP2L2/G.726
Voice Intercom	Support
Stream	Support three streams
Internet Protocol	IPv4/IPv6,HTTP,HTTPS,802.1x,Qos,FTP,SMTP,UPnP,SNMP
Time Display	Support
Standard	ONVIF, CGI, GB/T28181, PISA
IE browser	Support IE7 or above, Google, Firefox, Apple
Security	Password protection, Multiple access control

**General**

Size	295*390*420*mm
Net Weight	30kg
Mounted	wall, pole
Wall bracket	CZ6XXB



## DAY & NIGHT ANALOG ZOOM CAMERA

Image Sensor	1/2.8" Progressive Scan CMOS	
Parameters	20X ICR Day/Night Zoom Camera	30X Day/Night Zoom Camera
Horizontal resolution	700TVL (color), 720TVL (B&W)	
Effective pixel	PAL 976*582 NTSC 976*494	
Min. Illumination	Color: 0.04Lux @ (F1.6, AGC ON) B/W: 0.004Lux @ (F1.6, AGC ON)	
S/N ratio	>50dB (AGC off)	
<b>Lens</b>		
Focal Length	20X ,4.7-94mm	30X, 4.5-135mm
Aperture Range	F1.6-F3.5	F1.6-F4.4
Angle of View	61.4-29 degree (wide -tele)	65.1-2.34 degree (wide -tele)
Min. Working Distance	10mm-1500mm(Wide-Tele)	
Zoom Speed	Approx. 3s(Optical, Wide-Tele)	
Day & Night	ICR	
<b>Function</b>		
Focus Mode	Auto/Manual/One touch	
Exposure Mode	Auto/Aperture Priority/Shutter Priority/Manual	
Day & Night Mode	Auto/Color/BW	
Shutter Time	1/50(1/60) sec~ 1/10,000 sec	
White Balance	Auto /Indoor/Outdoor/Manual/auto tracking	
BLC	ON/OFF	
Privacy	Off/on	
Exposure Compensation	10 levels adjustable	
Gain	Auto/manual	
Gain Limitation	16 levels adjustable	
Contrast	8 levels adjustable	
Saturation	8 levels adjustable	
Mirror	Off/no	
Slow shutter	X256 MAX	
Anti-shake	Off/ on	
Digital WDR	ON/OFF, 15 levels adjustable	
Image Setting	Saturation, Brightness, Contrast, Sharpness adjustable	
Lens Initialization	Internal	
External connection	9 Pin FFC	

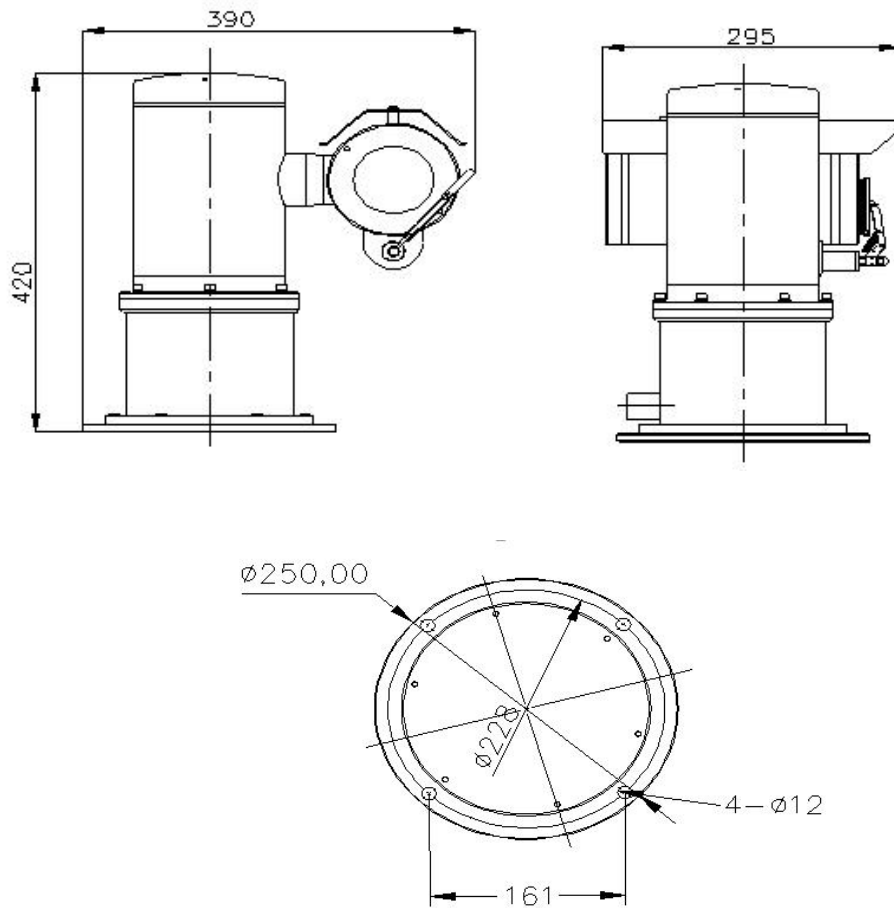
**DAY & NIGHT NETWORK ZOOM CAMERA**

Image Device	1/2.8" Progressive Scan CMOS	
Effective Pixels /Resolution	50HZ:25fps(1920x1080) 60HZ:30fps(1920x1080) 50HZ:25fps(1280x720) 60HZ:30fps(1280x720)	
Optical zoom	20X ,4.7-94mm	30X, 4.5-135mm
Digital Zoom	12X	
Aperture Range	F1.6-F3.5	F1.6-F4.4
Angle of view	61.4-29 degree (wide -tele)	65.1-2.34 degree (wide -tele)
Min. Working distance	10mm-1500mm(wide-tele)	
Zoom speed	Approx 3s (optical, wide-tele)	
Day&night	ICR	
Focus mode	Auto/manual/one touch	
Day&night mode	Auto/color/BW	
Shutter Time	1/1sec-1/30,000 s	
White balance	Auto 1/Auto 2/Indoor/Outdoor/Manual/Sodium Lamp/Fluorescent Lamp	
BLC	ON/OFF	
Exposure compensation	10 levels adjustable	
Gain	16 levels adjustable	
Gain limitation	16 levels adjustable	
DNR	3D DNR	
mirror	support	
Digital WDR	ON/OFF, 15 levels adjustable	
Imaging setting	Saturation, brightness, contrast, sharpness adjustable	
Video compression	H.264 main profile/MJPEG	
Video bit rate	32kbps-16mbps	
Audio compression	G.722.1/G.711-a law/G.711-u law/MP2L2/G.726	
Imaging setting	Zoom camera module function can be adjustable by client software ore web browser	
alarm	Motion detection, tampering alarm, storage full, storage exception	
protocol	TCP/IP, HTTP, DHCP, DDNS, RTP, RTSP, PPPoE, SMTP, NTP, UPnP, SNMP, FTP, 802.1*, QoS, HTTPS, IPv6(SIP, SRTP optional)	
standard	ONVIF, PSIA, CGI, ISAPI	
Communication interface	1 RJ45 10M/100M self-adaptive Ethernet interface, 1 RS-485.	
Video output	Dual core 1Vp-p Composite Output (75Ω)	
Lens value	Distance: 10mm-1500mm(Wide-Tele) Angle: 58.3-3.2 degree(Wide-Tele)	
S/N ratio	More than 52dB	
Minimum illumination	Color: 0.05Lux @ (F1.6, AGC ON) B/W: 0.01Lux @ (F1.6, AGC ON)	

Specifications subject to change without notice.

©ZUOAN all rights reserved.

## Dimension



**CZ610-B**

## Relatives



**ZA-JXD4 Ex Junction box**



**CZ300 ATEX Ex Optical Box**



**CZ6XXB wall bracket**



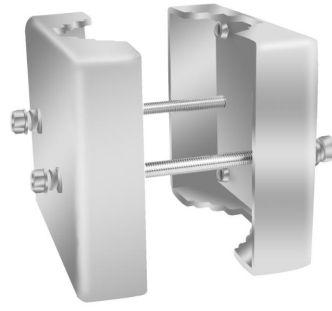
**ZANXG Tube**



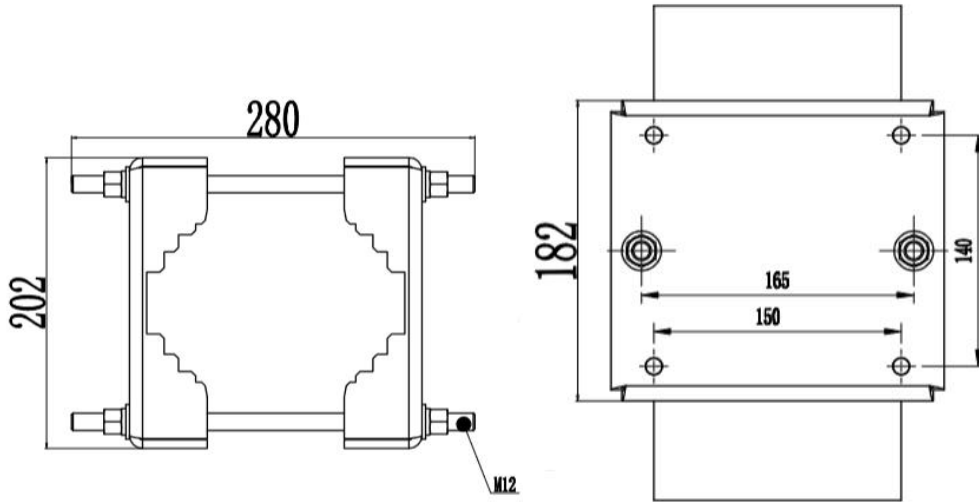
**ZAEX02 ATEX Ex glands**



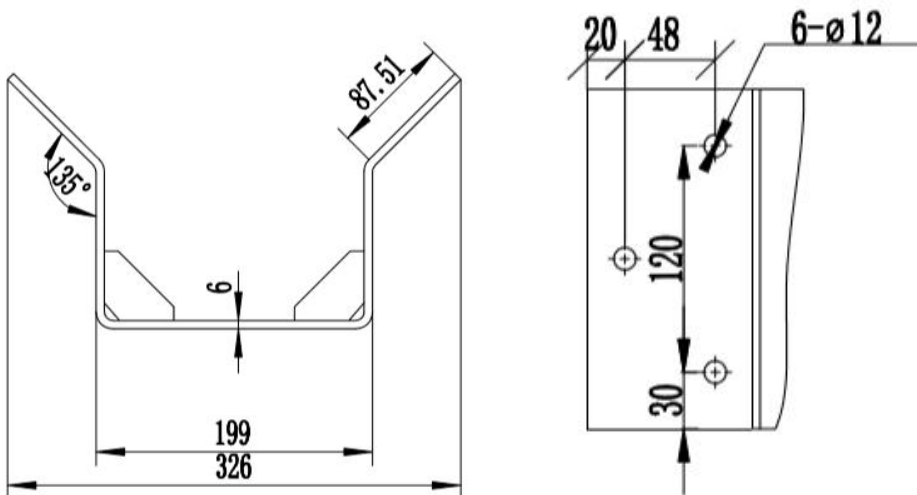
**ZAZ6XX-CW corner bracket**



**ZAZ6XX-PMB Pole mount adapter**



**ZAZ6XX-PMB Pole mounted bracket**



**ZAZ6XX-CW Corner mounted bracket**