

Features

- ATEX, IECEx Approved;
- Applicable for Gas Zone 1, Zone 2, (Class II A, IIB, IIC, T1-T6 group) Dust Zone 21, 22.
- Certified standards IEC/EN60079 (2014)
- Stainless steel 304 or 316L enclosure
- Surface optional electro-polished or painting
- Weather Proof IP68(1.2m/45min)
- Wide voltage input: AC100-240V or AC24V
- Infrared lights, intelligent day/night vision
- Strong tempered glass, fit for hydrofluoric acid area
- Intelligent window defroster design
- Auto temperature adjust kit for aggressive area
- High precision wiper , support user-defined
- Auto temperature adjust kit for aggressive area
- Symmetrical balancing design
- Intelligent long focal speed limit, fit for long distance monitoring



CZ610-A





Application

CZ610-□ is a ZUOAN designed classic explosion-proof integrated camera, which is integrated by explosion proof camera(housing)、pan tilt、decoder and wiper, it makes install and debug on site convenient. .The explosion proof camera can apply for Zone 1 and Zone 2 hazardous areas that explosive mixture of group IIA, IIB, IIC, T1~T6 gases, vapors and air may exist, Zone 21 and Zone 22 hazardous areas that explosive dust may exist. It's applicable for refining and chemical industry, oil extraction, gas production, fireworks production, grain production and storage, petrol station and so on.

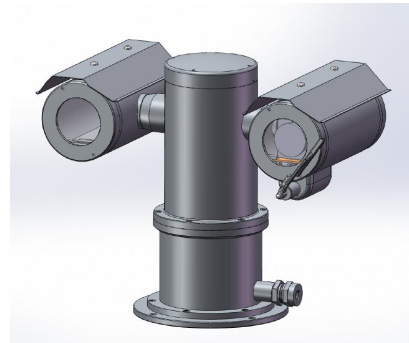
CZ610-□ EXPLOSION PROOF INTEGRATED CAMERA

EX-PROOF MARKING

Explosion proof marking:

CE²⁴⁶⁰  II 2G Ex db op is II C T6 Gb,
 II 2D Ex tb op is IIIC T80 °C Db

Standards: IEC/EN60079



CZ610-A

ENVIRONMENT

Ambient temperature: -40°C ~ +60°C

Atmosphere pressure: 80kPa ~ 120kPa

Relative humidity: ≤ 95%RH (+25°C)

MECHANICAL

Material: Stainless steel 304/316L

Ingress protection: IP68

Cable glands: M25×1.5, or M27×1.25

Cable entry: 1pcs

Dimension: see fig

Pan: continuously 360°, Max 40°/s

Tilt: -90° ~ 90°, Max: 30°/s

Wiper: 30 ± 10 times/min

Weight: CZ610-A, 40kg

Mount: wall, pole (or customer tailored)

ACCESSORIES

Wall Bracket: CZ6XXB

Ex Junction Box: ZA-JXD4

Ex Optical Box: CZ300

Ex tube: ZANXG

Ex Gland: ZAEX02

ELECTRICAL

Voltage: 100~240V AC or 24V AC,

Current: Max 3.0A

Power: ≤ 75W

IR view D: 200m (CZ610-A)

Protocol: Pelco-D Pelco-P, per customer;

Rate: 2400 ~ 19200bps

Output: AV/RJ45

Long focal limit speed: Yes

Preset: 128/255

Preset precision: ≤ 0.1°

Cable: Integrate cable

Surge protect: Optional

Fiber: Optional

Audio: Optional

Alarm: Optional



Certificate

ATEX Certificate Mark	CE ²⁴⁶⁰ Ex II 2G Ex db op is IIC T6 Gb, Ex II 2D Ex tb op is IIIC T80 °C Db
Certificate	Presafe 17 ATEX 11328X, IECEx PRE 18.0030X
Standards	IEC/EN60079

Mechanical

Housing	Stainless steel 304 or 316L
Surface	Optional electro-polish or painting
Ingress protection	IP68 (1.2m/ 45min)
Cable thread hole	M25×1.5 (or M27*1.25)

Electrical

Voltage	AC100V ~ AC240V or AC24V
Power	50W/70W (with thermostat)
Surge Protect	Optional, TVS6000V surge protect
Optical Fiber output	Optional, multimode or single mode
Optical Video signal	1-way video output
Optional network signal	RJ45
Optical Audio	1-way input, 1-way output
Optical Alarm	2-way alarm input, 1-way alarm output
Address code:	0/1
Night vision lights	200m distance
Trail cable	2m integrated cable

Ambient

Ambient temperature	-25° ~ +60°/-40° ~ +60°
Air pressure	80Kpa to 110Kpa
Relative Humidity	≦95% (no condensation)

Communication

Communication type	RS485
Protocol	Pelco-D, Pelco-P

Communicate Rate	2400~19200bps adjustable
485 Communication	Support

Pan & Tilt

Horizontal	360°
Horizontal speed	0.1-45°/s
Vertical	-90 to +90°
Cruise Scan	Support
Keep watch	Support
Preset	64/128/255/300
Resume function	Support
Auto Cruise	Support
Auto Scan	Support

Alarm

Alarm Input	2-channel/ 7-channel
Alarm Output	1-channel, action with alarm
Intelligent Alarm	Audio detective, move detective, video shield, network inte

Audio

Audio Input	Audio input (LINE input, MIC input), audio peak:2-2.4Vp-p,
Audio Output	Line-level impedance 600Ω

Network

Network Interface	1pcs of RJ45, support 10M/100M/1000M
Video Compression	H.264 main profile / MJPEG
Audio Compression	G.722.1/ G.711-a law/ G.711-u law/MP2L2/G.726
Voice Intercom	Support
Stream	Support three streams
Internet Protocol	IPv4/IPv6,HTTP,HTTPS,802.1x,Qos,FTP,SMTP,UPnP,SNMP
Time Display	Support
Standard	ONVIF, CGI, GB/T28181, PISA
IE browser	Support IE7 or above, Google, Firefox, Apple
Security	Password protection, Multiple access control

General

Size	511mm×295mm×420mm
Net Weight	40kg
Mounted	wall, pole
Wall bracket	CZ6XXB

550TVL 36X Analog CAMERAS

	analog camera
Image Device	1/4-type EXview HAD™ CCD (Progressive Scan)
Effective Pixels /Resolution	440,000 pixels (PAL) 380,000 pixel (NTSC)
Optical zoom	36X
Digital Zoom	12X (216x with optical zoom)
Horizontal Viewing Angle	57.8° (wide end) to 1.7° (tele end)
Minimum Object Distance	10 mm* (wide) ~ 1500 mm (tele) *Default: 320 mm
Sync System	Internal/External (V-lock)
Electronic Shutter	1/1 to 1/10,000 s, 22 steps
White balance	Auto, ATW, indoor, outdoor auto, Sodium vapor lamp (fix/auto), one-push, manual
Grain	yes
EV Compensation	Yes
Wide Dynamic Range	Auto Mode, IS/PS Mode
Privacy Zone Masking	Spherical
Character Generator	Title: 20 characters/line, max. 11 lines
Picture Effects	E-Flip, Nega Art B/W, Mirror Image, Color Enhancement
Exposure Control	Auto, Manual Priority Mode (shutter priority & iris priority) Bright, EV Compensation, Slow AE
Lens value	36x optical zoom f=3.4mm wide~122.4mm(tele)
S/N ratio	More than 50dB
Minimum illumination	1.4 lx (Min illumination, 1/60s shutter) 0.01 lx (1/4s shutter ICR on)
Video Output	Analog: VBS: 1.0 Vp-p (sync negative), Y/C Digital: Y/CB/CR 4:2:2 (ITU-R BT656 Style)
Signal system	PAL or NTSC
Horizontal resolution	550TV lines
Camera Control Interface	VISCA (TTL signal level) Baud Rate: 9.6Kb/s, 19.2Kb/s, 38.4Kb/s Stop bit: 1/2 bit selectable
Power	2.4W (motor active 5.1W)

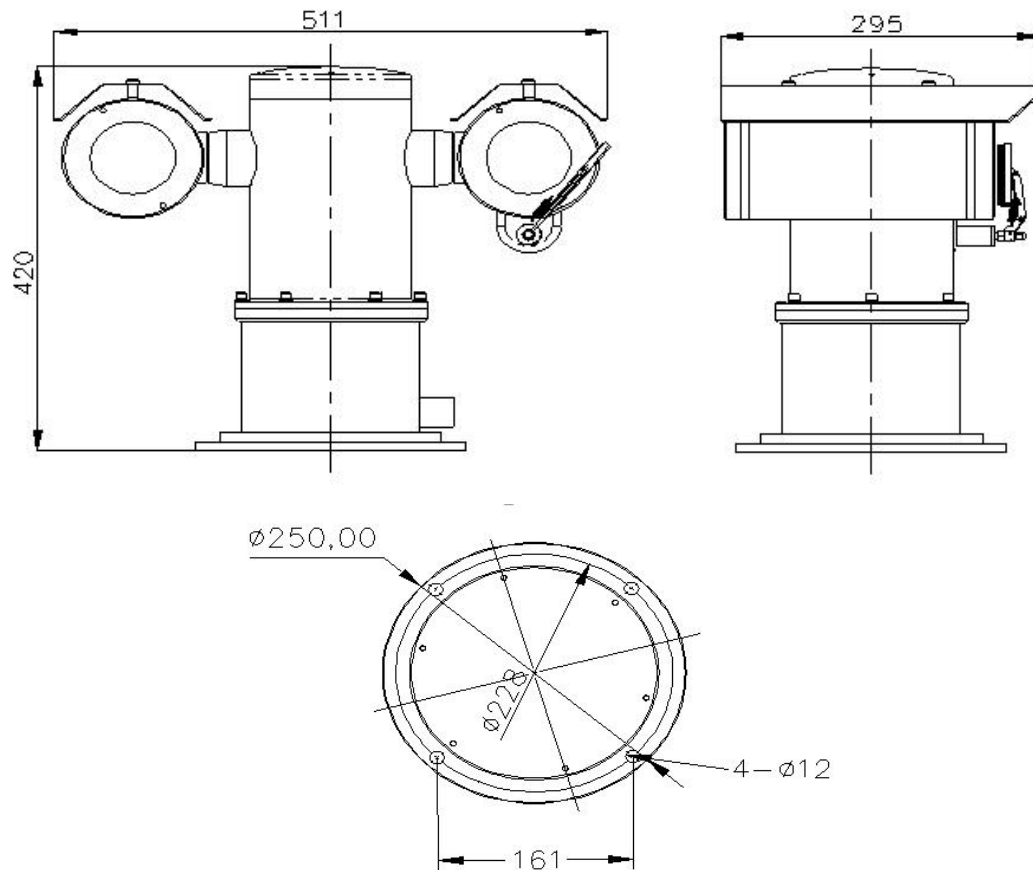
DAY & NIGHT NETWORK ZOOM CAMERA

Image Device	1/2.8" Progressive Scan CMOS	
Effective Pixels /Resolution	50HZ:25fps(1920x1080) 60HZ:30fps(1920x1080) 50HZ:25fps(1280x720) 60HZ:30fps(1280x720)	
Optical zoom	20X ,4.7-94mm	30X, 4.5-135mm
Digital Zoom	12X	
Aperture Range	F1.6-F3.5	F1.6-F4.4
Angle of view	61.4-29 degree (wide -tele)	65.1-2.34 degree (wide -tele)
Min. Working distance	10mm-1500mm(wide-tele)	
Zoom speed	Approx 3s (optical, wide-tele)	
Day&night	ICR	
Focus mode	Auto/manual/one touch	
Day&night mode	Auto/color/BW	
Shutter Time	1/1sec-1/30,000 s	
White balance	Auto 1/Auto 2/Indoor/Outdoor/Manual/Sodium Lamp/Fluorescent Lamp	
BLC	ON/OFF	
Exposure compensation	10 levels adjustable	
Gain	16 levels adjustable	
Gain limitation	16 levels adjustable	
DNR	3D DNR	
mirror	support	
Digital WDR	ON/OFF, 15 levels adjustable	
Imaging setting	Saturation, brightness, contrast, sharpness adjustable	
Video compression	H.264 main profile/MJPEG	
Video bit rate	32kbps-16mbps	
Audio compression	G.722.1/G.711-a law/G.711-u law/MP2L2/G.726	
Imaging setting	Zoom camera module function can be adjustable by client software ore web browser	
alarm	Motion detection, tampering alarm, storage full, storage exception	
protocol	TCP/IP, HTTP, DHCP, DDNS, RTP, RTSP, PPPoE, SMTP, NTP, UPnP, SNMP, FTP, 802.1*, QoS, HTTPS, IPv6(SIP, SRTP optional)	
standard	ONVIF, PSIA, CGI, ISAPI	
Communication interface	1 RJ45 10M/100M self-adaptive Ethernet interface, 1 RS-485.	
Video output	Dual core 1Vp-p Composite Output (75Ω)	
Lens value	Distance: 10mm-1500mm(Wide-Tele) Angle: 58.3-3.2 degree(Wide-Tele)	
S/N ratio	More than 52dB	
Minimum illumination	Color: 0.05Lux @ (F1.6, AGC ON) B/W: 0.01Lux @ (F1.6, AGC ON)	

Specifications subject to change without notice.

©ZUOAN all rights reserved.

Dimension



CZ610-A

Relatives



ZA-JXD4 Ex Junction box



CZ300 ATEX Ex Box



CZ6XXB



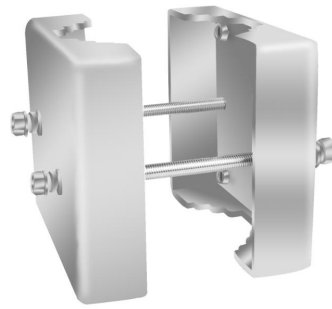
ZANXG



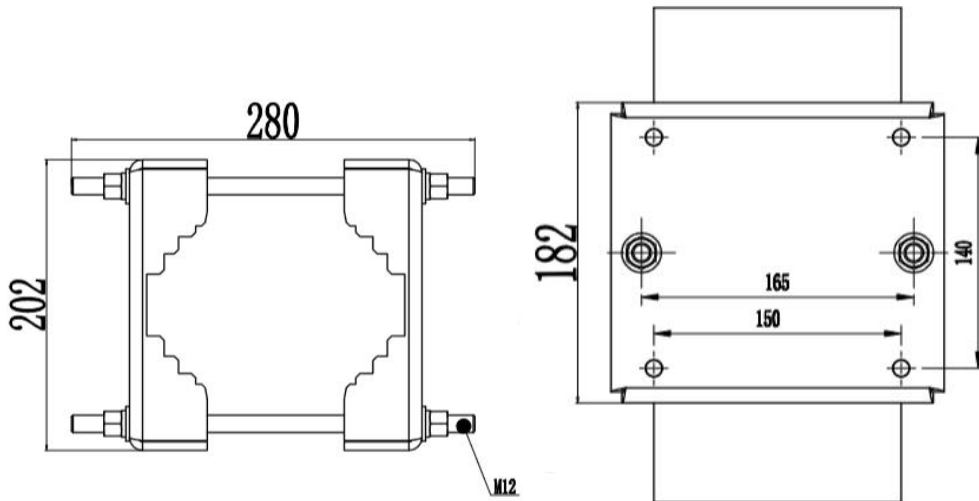
ZAEX02 ATEX Ex glands



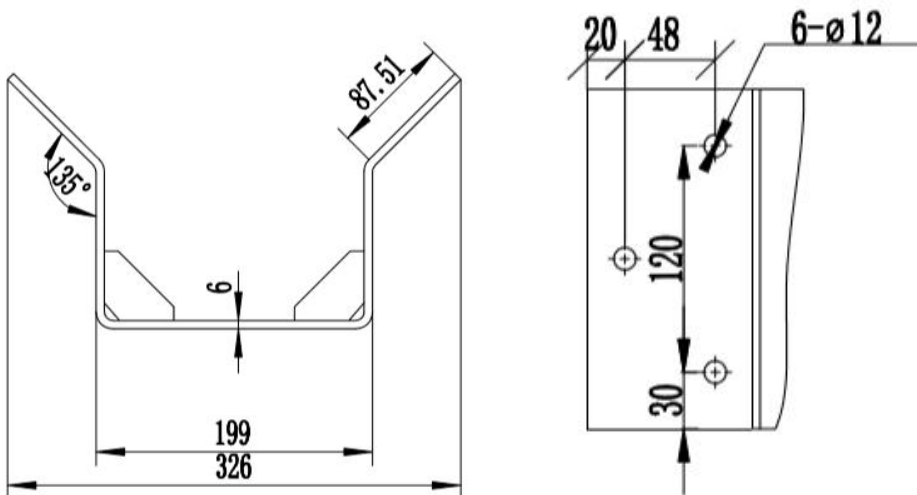
ZAZ6XX-CW corner bracket



ZAZ6XX-PMB Pole mount adapter



ZAZ6XX-PMB Pole mounted bracket



ZAZ6XX-CW Corner mounted bracket